



# Illustrated Parts List

## Model Series

# 202300

TYPE NUMBERS  
0033 through 1171.

### TABLE OF CONTENTS

Air Cleaner .....	5
Alternator .....	10
Blower Housing/Shrouds .....	7
Camshaft .....	2
Carburetor .....	4
Controls .....	8
Crankcase Cover .....	2
Crankshaft .....	2
Cylinder .....	2
Cylinder Head .....	3
Electric Starter .....	9
Exhaust System .....	6
Flywheel .....	7
Fuel Supply .....	8
Gasket Sets .....	3
Gear Reduction .....	9
Governor Spring .....	8
Ignition .....	10
Kit - Carburetor Overhaul .....	4
Lubrication .....	2
Operator's Manual .....	2
Piston/Rings/Connecting Rod .....	2
Rewind Starter .....	7
Valves .....	3
Warning Label .....	2



PRINTED IN U.S.A.

COPYRIGHT by BRIGGS & STRATTON CORPORATION  
All rights reserved. No part of this material may be reproduced or transmitted, in any form or by any means, electronic or mechanical, including photocopying, recording or by any information storage and retrieval system, without permission in writing from Briggs & Stratton Corporation.

1319 WARNING LABEL



**REQUIRED** when replacing parts with warning labels affixed.

1319A WARNING LABEL



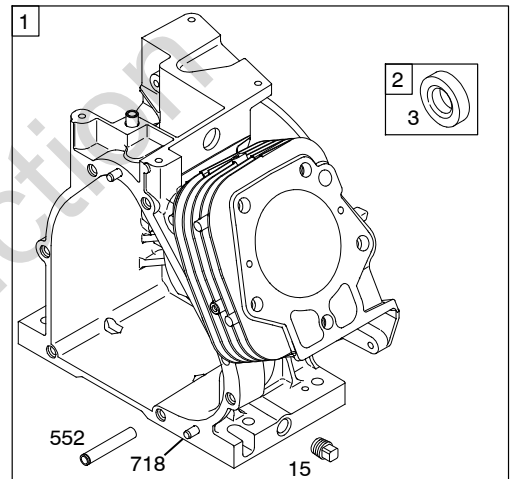
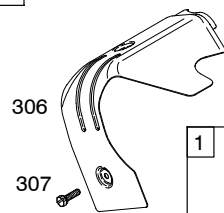
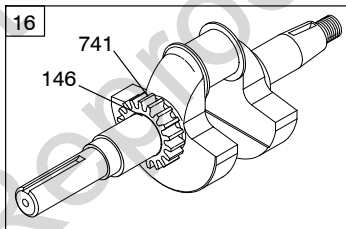
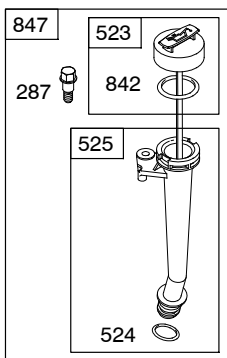
**REQUIRED** when replacing parts with warning labels affixed.

1036 EMISSIONS LABEL

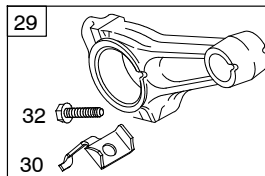
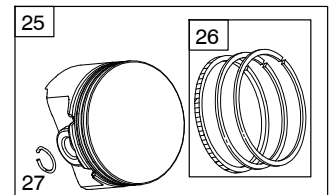
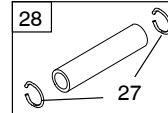
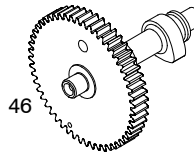
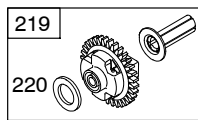
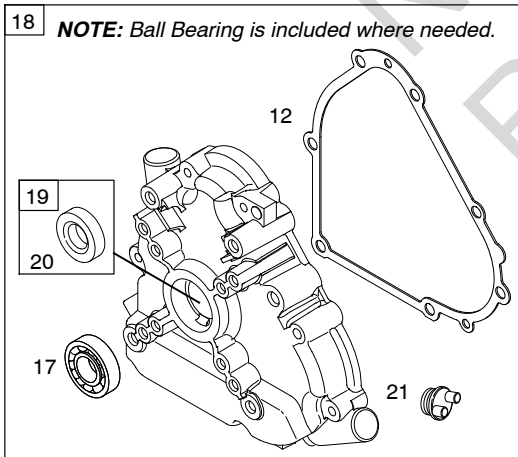
1058 OPERATOR'S MANUAL



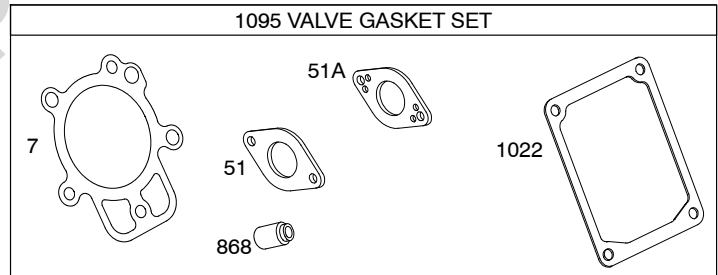
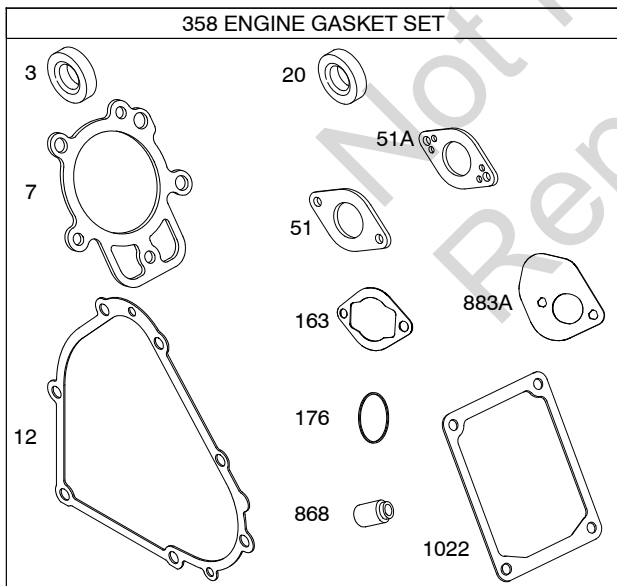
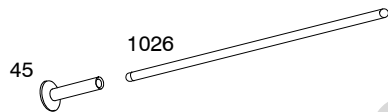
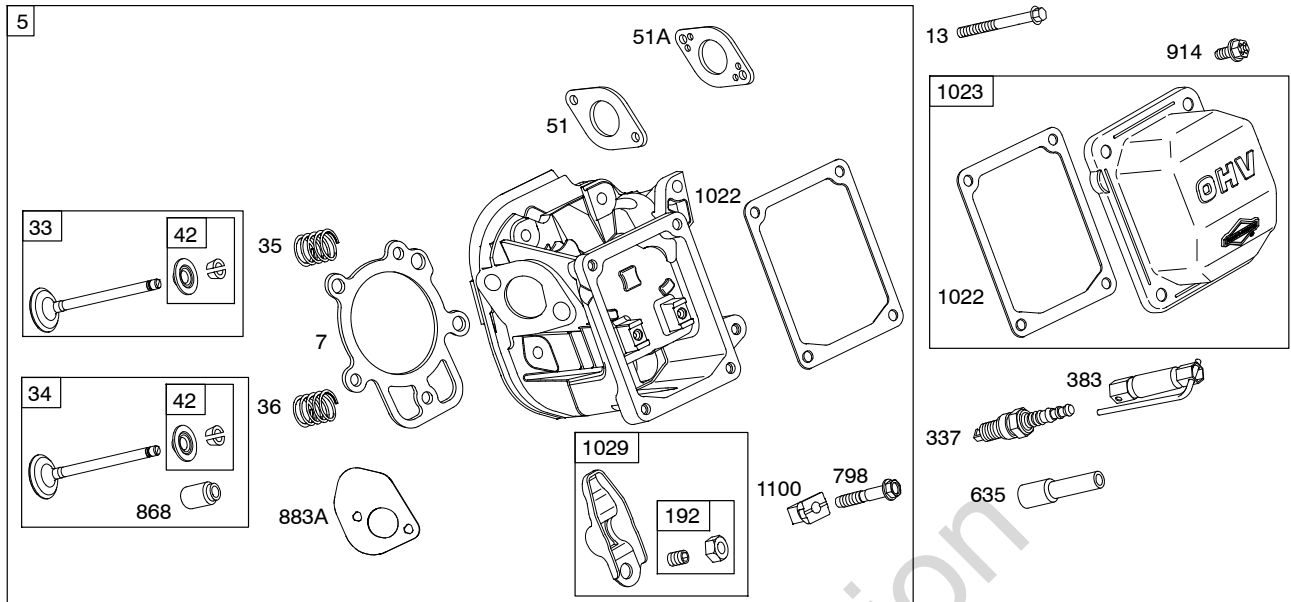
1330 REPAIR MANUAL



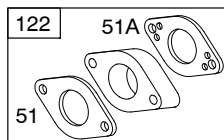
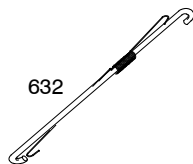
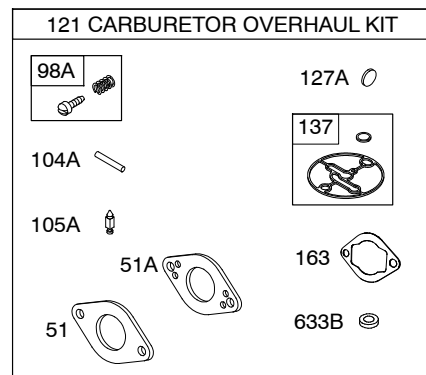
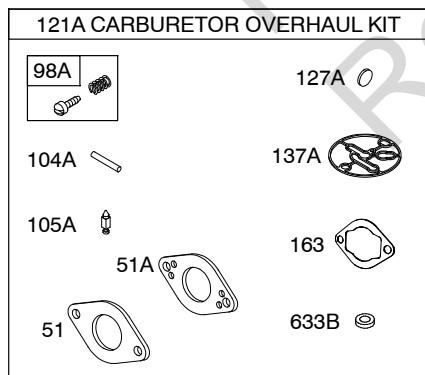
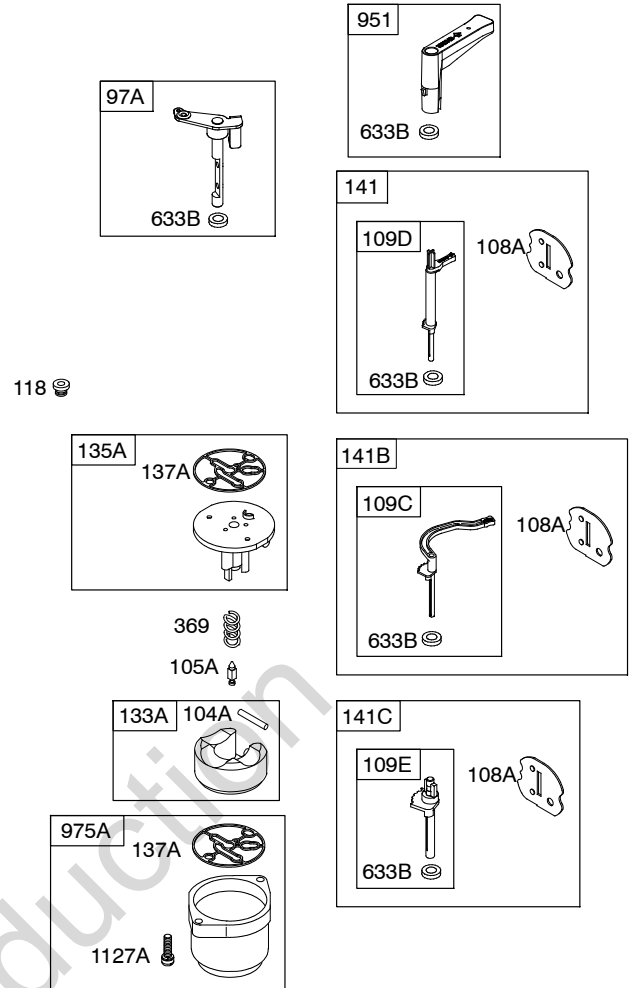
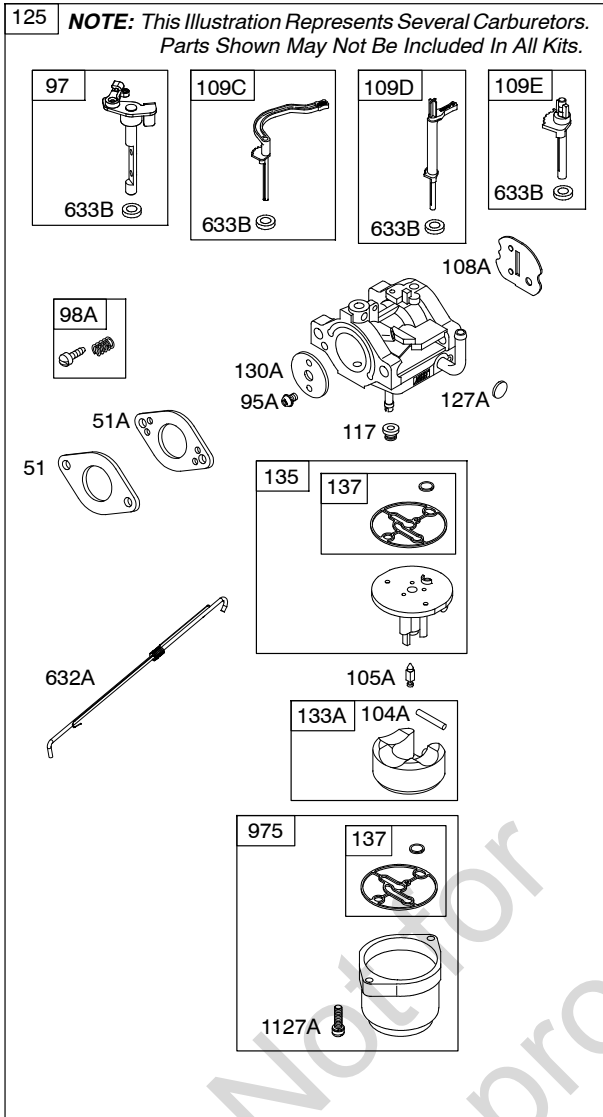
718A

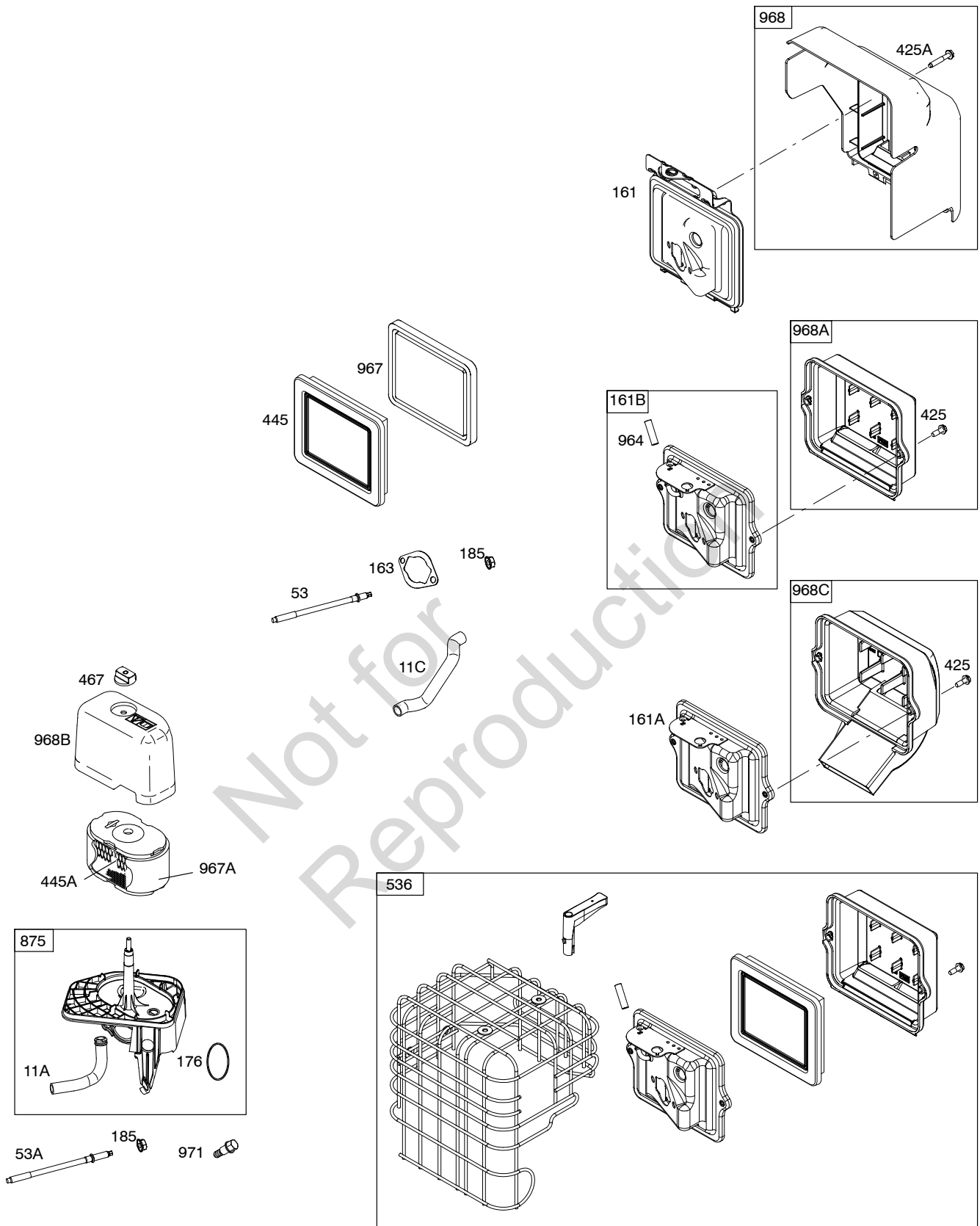


Illustrations cover a range of engines. Parts shown without corresponding text may not be used on your specific engine.  
 3984-2 Assemblies include all parts shown in frames. 10/24/2012

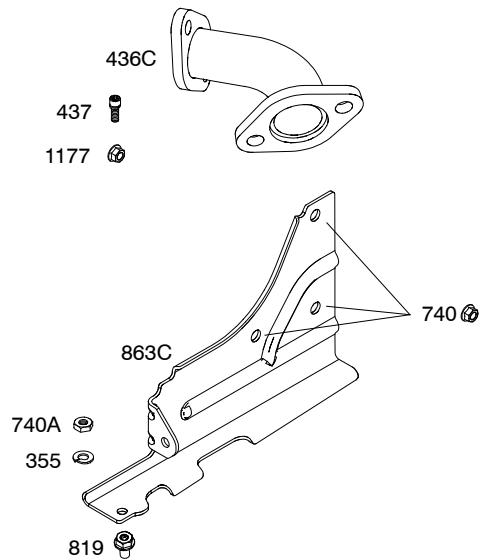
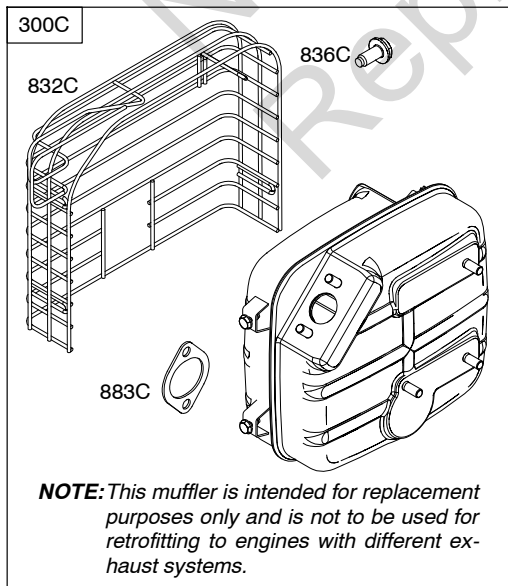
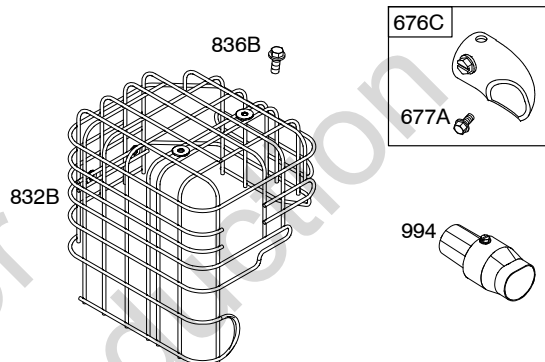
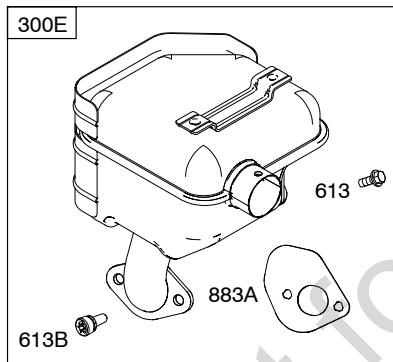
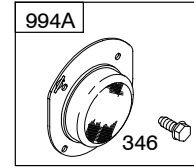
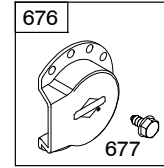
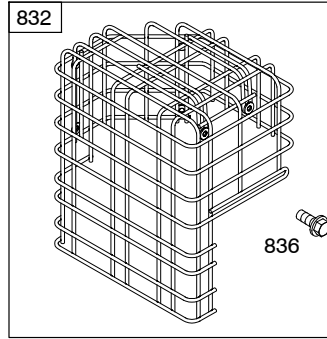
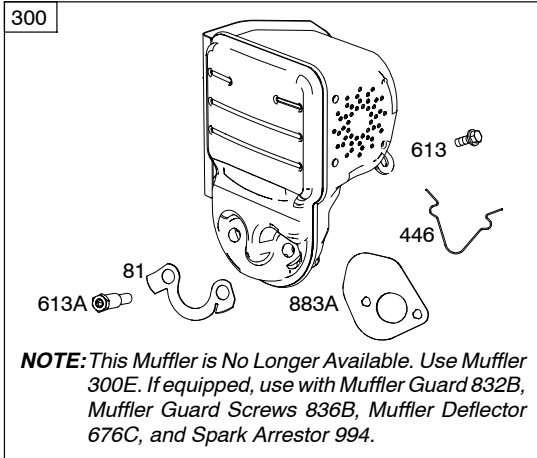


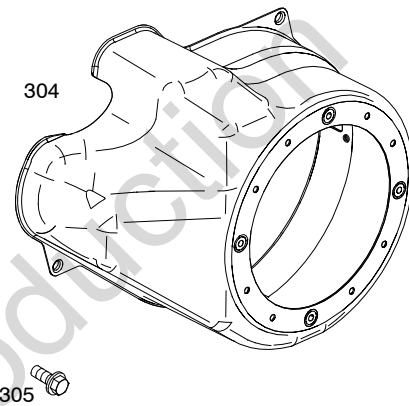
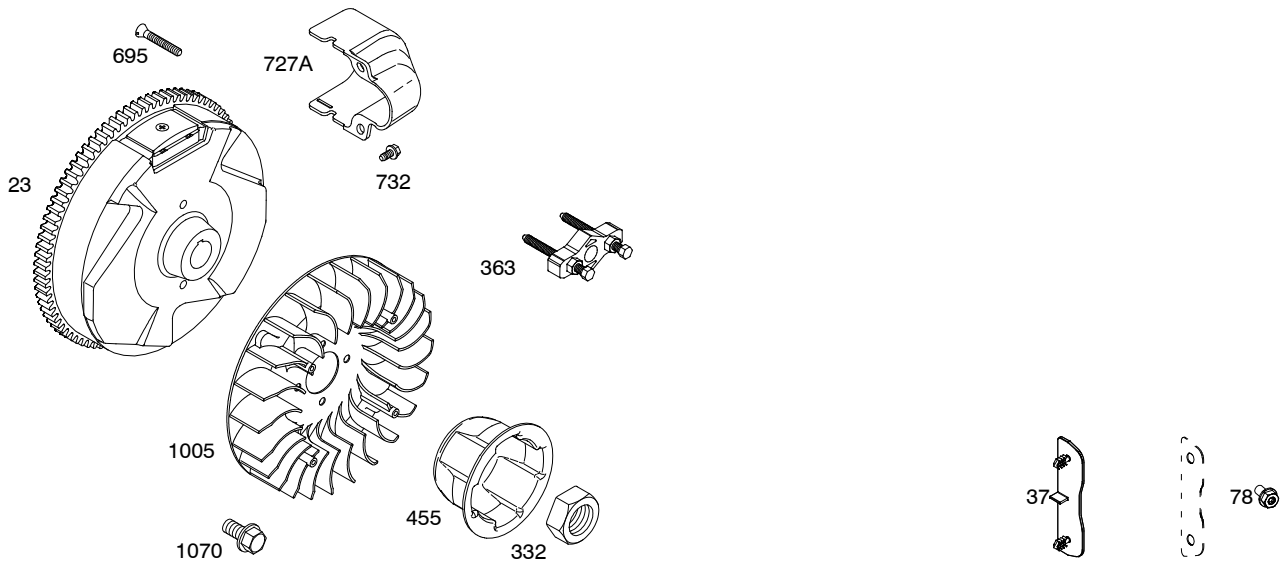
Illustrations cover a range of engines. Parts shown without corresponding text may not be used on your specific engine.  
 3984-3 Assemblies include all parts shown in frames. 10/24/2012



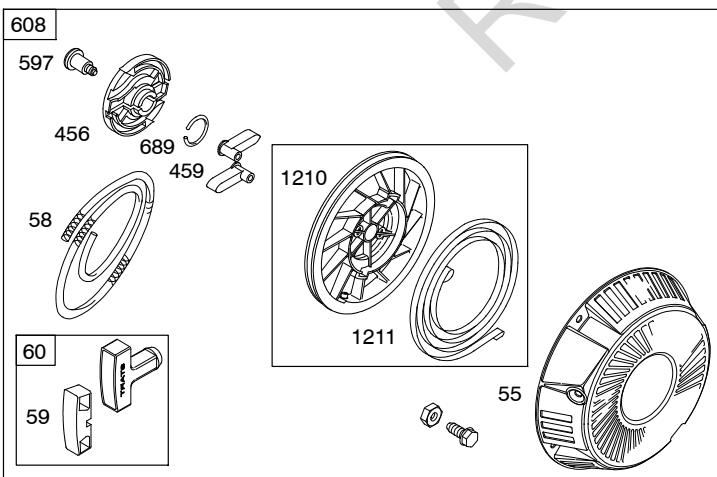


Illustrations cover a range of engines. Parts shown without corresponding text may not be used on your specific engine.  
 3984-5 Assemblies include all parts shown in frames. 10/24/2012



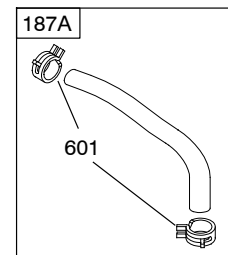
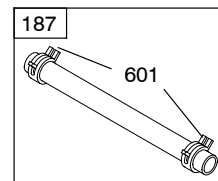
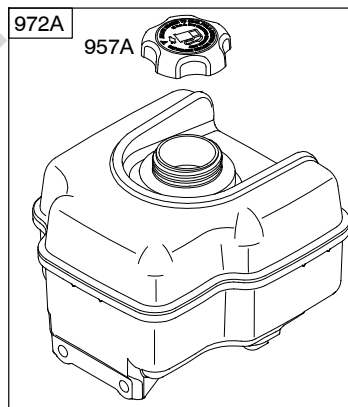
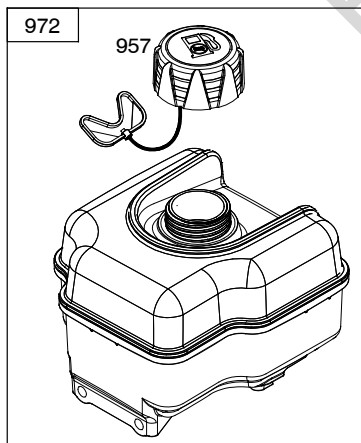
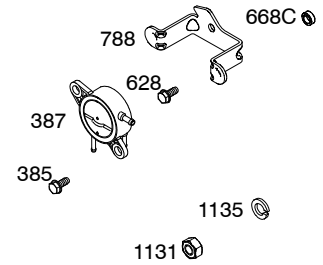
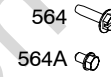
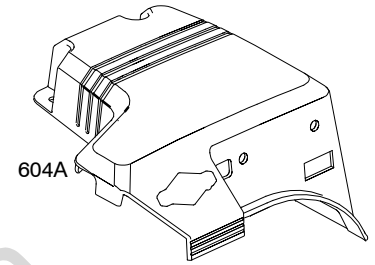
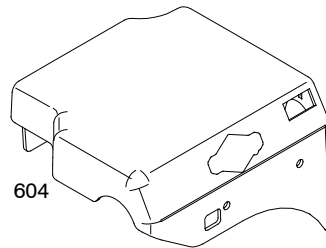
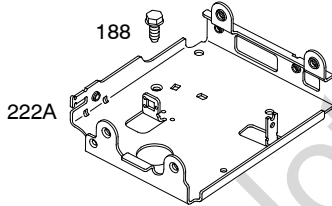
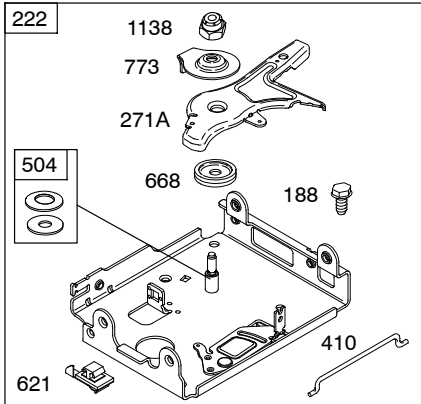
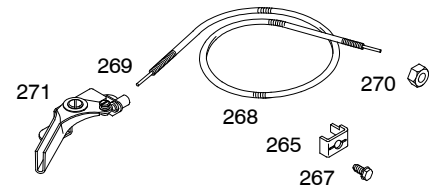
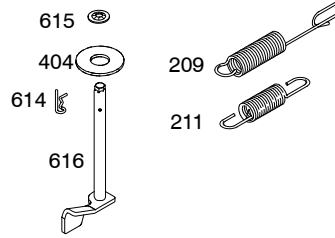
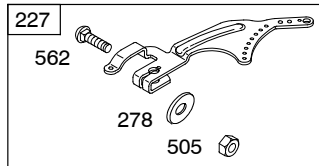
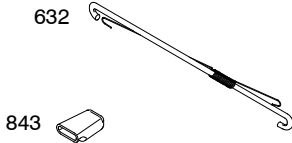
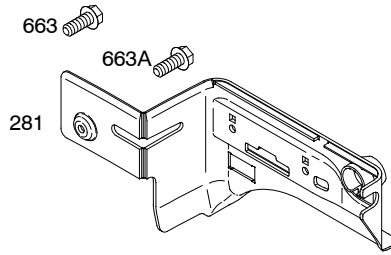


1036 EMISSIONS LABEL



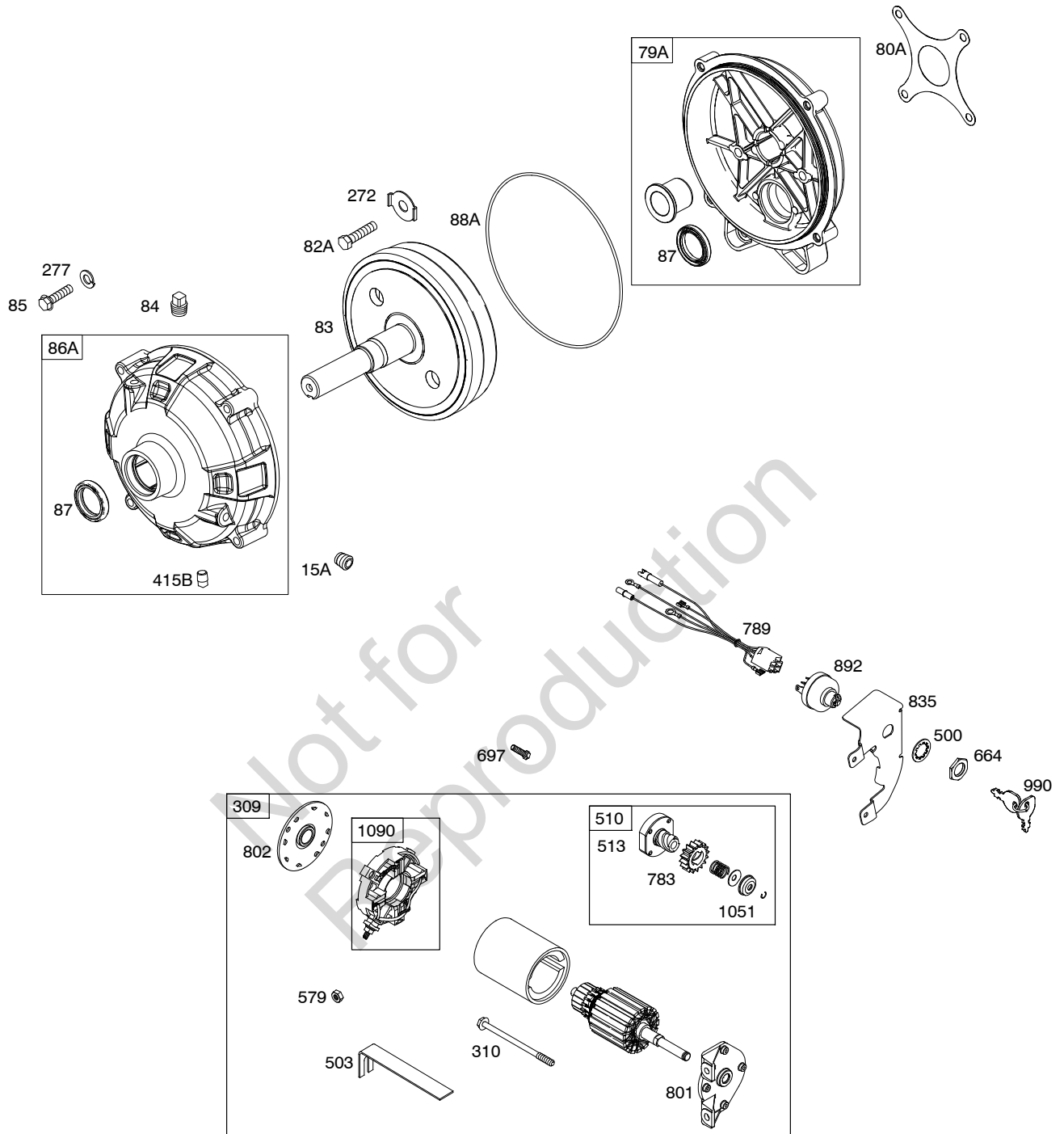
Illustrations cover a range of engines. Parts shown without corresponding text may not be used on your specific engine.  
3984-7 Assemblies include all parts shown in frames. 10/24/2012

# 202300





Illustrations cover a range of engines. Parts shown without corresponding text may not be used on your specific engine.  
 3984-8 Assemblies include all parts shown in frames. 10/24/2012

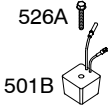
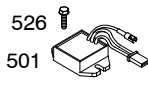

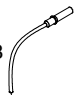



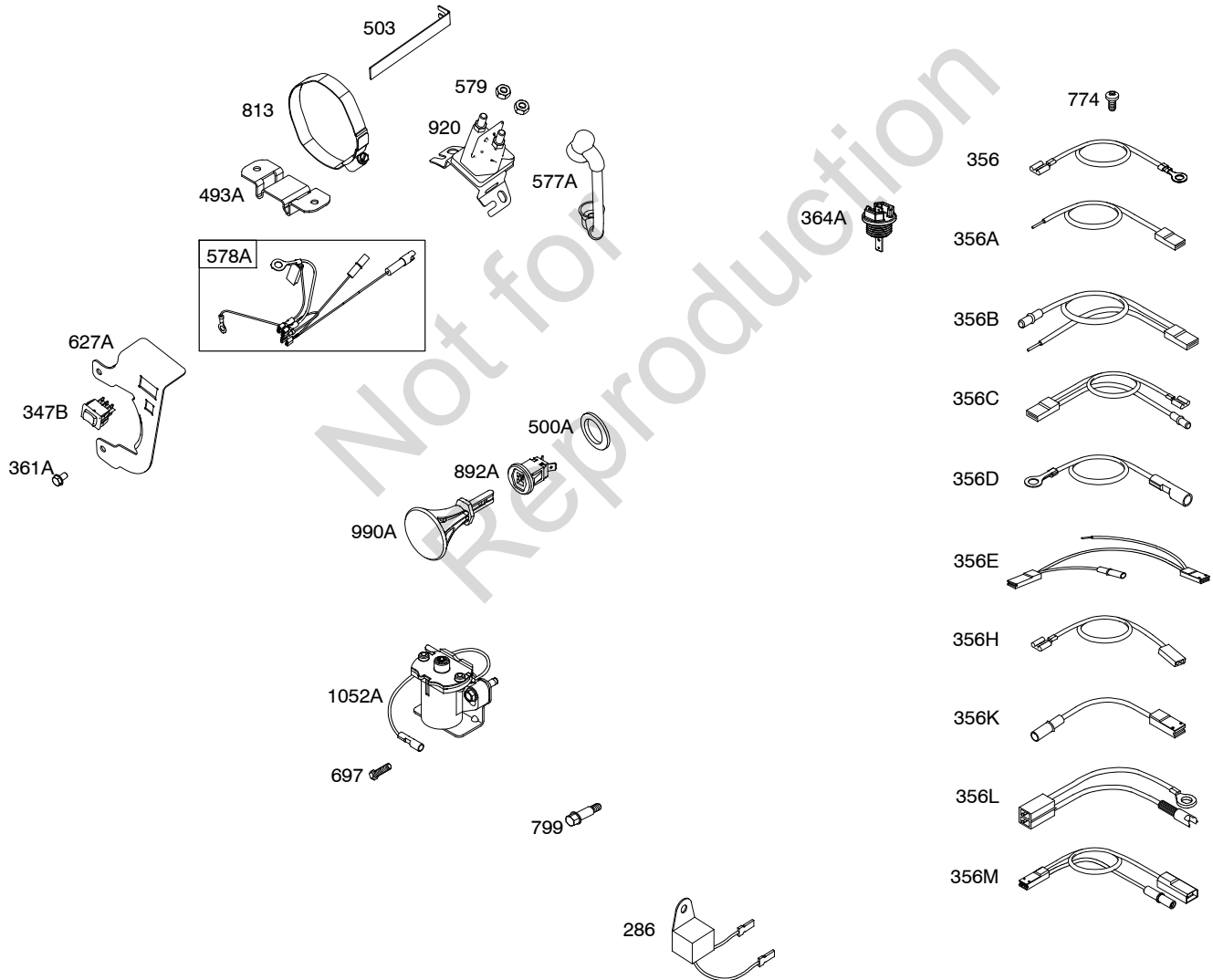
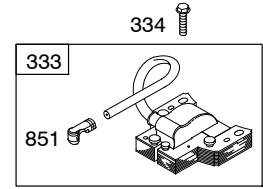


Illustrations cover a range of engines. Parts shown without corresponding text may not be used on your specific engine.  
 3984-9 Assemblies include all parts shown in frames. 10/24/2012

DC ONLY	10-16 AMP
474A 	474D 

**NOTE:** The proper flywheel part number and/or the alternator magnet size will determine the alternator type or output. See repair instruction manual for additional information.

526A 501B 	526 501 	1119 	578 	878 
---	---	---	--	---



REF. NO.	PART NO.	DESCRIPTION	REF. NO.	PART NO.	DESCRIPTION	REF. NO.	PART NO.	DESCRIPTION
1	794849	Cylinder Assembly		794720	Crankshaft	24	222698s	Key-Flywheel
2	698340	Kit-Bushing/Seal (Magneto Side)			Used on Type No(s). 0033, 0063, 0150, 0194, 0226, 0563.	25	792117	Piston Assembly (Standard)
3	391086s	Seal-Oil (Magneto Side)		794721	Crankshaft			----- Note ----- 792144 Piston Assembly (.020" Oversize)
5	799859	Head-Cylinder			Used on Type No(s). 0049, 0193, 0208, 0209, 0212, 0216, 0549, 1049, 1128.	26	792026	Ring Set (Standard)
7	694872	Gasket-Cylinder Head						----- Note ----- 792073 Ring Set (.020" Oversize)
11A	695305	Tube-Breather	17	695434	Bearing-Ball			
11C	696796	Tube-Breather	18	791412	Cover-Crankcase			
12	694953	Gasket-Crankcase			----- Note ----- 791965 Cover- Crankcase	27	690975	Lock-Piston Pin
13	794829	Screw (Cylinder Head)			Used on Type No(s). 0100, 0112, 0145, 0147, 0155, 0159, 0179, 0196, 0199, 0204, 0205, 0218, 0225, 0434, 1157.	28	696581	Pin-Piston
15	691686	Plug-Oil Drain			792139 Cover- Crankcase	29	694691	Rod-Connecting
15A	691682	Plug-Oil Drain			Used on Type No(s). 0049, 0193, 0208, 0209, 0212, 0216, 0549, 1049, 1128.	30	694692	Dipper-Connecting Rod
16	794716	Crankshaft			793584 Cover- Crankcase	32	690976	Screw (Connecting Rod)
		Used on Type No(s). 0036, 0041, 0100, 0111, 0112, 0127, 0145, 0147, 0155, 0159, 0163, 0170, 0179, 0180, 0182, 0196, 0197, 0199, 0200, 0203, 0204, 0205, 0211, 0218, 0223, 0434, 0536, 1036, 1041, 1105, 1111, 1122, 1124, 1125.			Used on Type No(s). 0180.	33	697576	Valve-Exhaust
		----- Note ----- 794717 Crankshaft	19	698340	Kit-Bushing/Seal (PTO Side)	34	792200	Valve-Intake
		Used on Type No(s). 0113, 0116, 0117, 0136, 0139, 0148, 0156, 0160, 0176, 0177, 0181, 0183, 0185, 0207, 0210, 0215, 0221, 1119, 1136, 1150, 1154, 1171.	20	391086s	Seal-Oil (PTO Side)	35	694865	Spring-Valve (Intake)
		794718 Crankshaft	21	281658s	Cap-Oil Fill	36	694865	Spring-Valve (Exhaust)
		Used on Type No(s). 0214, 0225, 0227, 1149, 1151, 1157, 1161.	22	794825	Screw (Crankcase Cover/Sump)	37	795715	Guard-Flywheel
		794719 Crankshaft	23	794814	Flywheel	42	499586	Keeper-Valve
		Used on Type No(s). 0035, 0123, 0149, 0195, 0213, 0224, 1035, 1123, 1152.			----- Note ----- 794812 Flywheel	45	690977	Tappet-Valve
					Used on Type No(s). 0033, 0041, 0111, 0113, 0117, 0127, 0139, 0149, 0176, 0180, 0181, 0183, 0193, 0195, 0197, 0203, 0204, 0209, 0211, 0225, 1041, 1111, 1125, 1154, 1161.	46	795697	Camshaft
						51	694874	Gasket-Intake
						51A	694875	Gasket-Intake
						53	794830	Stud (Carburetor)
						53A	794831	Stud (Carburetor)
								Used on Type No(s). 0113, 0117, 0181, 0183, 0185, 0195, 0206, 0207, 0212, 0213, 0214, 0215, 0216, 0227, 0434, 1124, 1125, 1135.
						55	695288	Housing-Rewind Starter
						58	693389	Rope-Starter (Cut To Required Length)
						59	805957	Insert-Grip
						60	490652	Grip-Starter Rope

# 202300

REF. NO.	PART NO.	DESCRIPTION	REF. NO.	PART NO.	DESCRIPTION	REF. NO.	PART NO.	DESCRIPTION
65	699228	Screw (Rewind Starter) ----- <b>Note</b> ----- 794954 Screw (Rewind Starter) Used on Type No(s). 0147.	97A	696140	Shaft-Throttle ----- <b>Note</b> ----- 696387 Shaft-Throttle (Used Before Code Date 08082500). Used on Type No(s). 0180.	118	796128	Jet-Main (High Altitude) (Used After Code Date 08072900). ----- <b>Note</b> ----- 696135 Jet-Main (High Altitude) (Used Before Code Date 08073000).
78	795026	Screw (Flywheel Guard)	98A	695408	Kit-Idle Speed	796128		Jet-Main (High Altitude) (Used After Code Date 08071600). Used on Type No(s). 0117, 0210, 0214, 1157.
79A	794816	Case-Gear Reduction Used on Type No(s). 0049, 0193, 0208, 0209, 0212, 0216, 0549, 1049, 1128.	104A	694918	Pin-Float Hinge	796128		Jet-Main (High Altitude) (Used After Code Date 08071600). Used on Type No(s). 0117, 0210, 0214, 1157.
80A	793588	Gasket-Gear Case Used on Type No(s). 0049, 0193, 0208, 0209, 0212, 0216, 0549, 1049, 1128.	105A	696136	Valve-Float Needle	796128		Jet-Main (High Altitude) (Used After Code Date 08082400). Used on Type No(s). 0180.
81	794817	Lock-Muffler Screw	108A	696143	Valve-Choke	796128		Jet-Main (High Altitude) (Used After Code Date 08082400). Used on Type No(s). 0180.
82A	690287	Screw (Gear Reduction Case) Used on Type No(s). 0049, 0193, 0208, 0209, 0212, 0216, 0549, 1049, 1128.	109C	790148	Shaft-Choke	796128		Jet-Main (High Altitude) (Used After Code Date 08082400). Used on Type No(s). 0180.
83	690387	Shaft-Auxiliary Drive	109D	790149	Shaft-Choke	796128		Jet-Main (High Altitude) (Used After Code Date 08082400). Used on Type No(s). 0180.
84	691121	Plug-Breather	109E	696735	Shaft-Choke	796128		Jet-Main (High Altitude) (Used After Code Date 08082400). Used on Type No(s). 0180.
85	794820	Screw (Gear Cover to Gear Reduction Case)	117	796080	Jet-Main (Standard) (Used After Code Date 08072900). ----- <b>Note</b> ----- 696134 Jet-Main (Standard) (Used Before Code Date 08073000). 796080 Jet-Main (Standard) (Used After Code Date 08071600). Used on Type No(s). 0117, 0210, 0214, 1157.	796128		Jet-Main (High Altitude) (Used After Code Date 08082400). Used on Type No(s). 0180.
86A	793591	Cover-Gear Used on Type No(s). 0049, 0193, 0208, 0209, 0212, 0216, 0549, 1049, 1128.				796128		Jet-Main (High Altitude) (Used After Code Date 08082400). Used on Type No(s). 0180.
87	391086s	Seal-Gear Reduction				796128		Jet-Main (High Altitude) (Used After Code Date 08082400). Used on Type No(s). 0180.
88A	793589	Gasket-Gear Reduction Cover Used on Type No(s). 0049, 0193, 0208, 0209, 0212, 0216, 0549, 1049, 1128.				796128		Jet-Main (High Altitude) (Used After Code Date 08082400). Used on Type No(s). 0180.
95A	690718	Screw (Throttle Valve)				796128		Jet-Main (High Altitude) (Used After Code Date 08082400). Used on Type No(s). 0180.
97	796334	Shaft-Throttle ----- <b>Note</b> ----- 796334 Shaft-Throttle (Used After Code Date 08082400). Used on Type No(s). 0180.				796128		Jet-Main (High Altitude) (Used After Code Date 08082400). Used on Type No(s). 0180.

Illustrations cover a range of engines. Parts shown without corresponding text may not be used on your specific engine.  
3984-12 Assemblies include all parts shown in frames. 10/24/2012

REF. NO.	PART NO.	DESCRIPTION	REF. NO.	PART NO.	DESCRIPTION	REF. NO.	PART NO.	DESCRIPTION
121	796137	Kit-Carburetor Overhaul	127A	690727	Plug-Welch	190	699220	Screw (Fuel Tank)
121A	696146	Kit-Carburetor Overhaul	130A	696139	Valve-Throttle	192	690083	Adjuster-Rocker Arm
122	796315	Spacer-Carburetor (Used After Code Date 08072900). ----- Note ----- 694876 Spacer-Carburetor (Used Before Code Date 08073000). 796315 Spacer-Carburetor (Used After Code Date 08071600). Used on Type No(s). 0117, 0210, 0214, 1157. 694876 Spacer-Carburetor (Used Before Code Date 08071700). Used on Type No(s). 0117, 0210, 0214, 1157. 796315 Spacer-Carburetor (Used After Code Date 08082400). Used on Type No(s). 0180. 694876 Spacer-Carburetor (Used Before Code Date 08082500). Used on Type No(s). 0180.	133A	694914	Float-Carburetor	209	694867	Spring-Governor
125	796321	Carburetor ----- Note ----- 796543 Carburetor (Used After Code Date 08082400). Used on Type No(s). 0180. 698786 Carburetor (Used Before Code Date 08082500). Used on Type No(s). 0180.	135	698780	Tube-Fuel Transfer ----- Note ----- 796400 Tube-Fuel Transfer (Used After Code Date 08082400). Used on Type No(s). 0180.	211	695307	Spring-Governed Idle
			135A	696142	Tube-Fuel Transfer ----- Note ----- 696142 Tube-Fuel Transfer (Used Before Code Date 08082500). Used on Type No(s). 0180.	219	693578	Gear-Governor
			137	698781	Gasket-Float Bowl	220	691724	Washer (Governor Gear)
			137A	695426	Gasket-Float Bowl	222	794799	Bracket-Control
			141	696145	Kit-Choke Shaft	222A	794801	Bracket-Control (Used on Type No(s). 0214, 0225, 0227, 1151, 1157, 1161.)
			141B	696144	Kit-Choke Shaft	227	694864	Lever-Governor Control
			141C	699979	Kit-Choke Shaft	240	394358s	Filter-Fuel
			146	690979	Key-Timing	265	691024	Clamp-Casing
			161		Base-Air Cleaner (Metal) (No Longer Available) (For Replacement, Order Reference 536)	267	699492	Screw (Casing Clamp)
			161A	794767	Base-Air Cleaner (Metal)	268	691025	Casing-Control Wire (Cut To Required Length)
			161B	591217	Base-Air Cleaner (Metal)	269	691026	Wire-Control (Cut To Required Length)
			163	692277	Gasket-Air Cleaner	270	691027	Nut (Control Wire Casing)
			170	794833	Stud (Cover-Crankcase)	271	691028	Lever-Control
			176	691917	Seal-O Ring (Air Cleaner Base)	271A	695381	Lever-Control
			185	794838	Nut (Air Cleaner Base)	272	691168	Lock-Screw Head
			186	691764	Connector-Hose	277	794842	Washer (Gear Case To Gear Reduction)
			186A	696612	Connector-Hose	278	798196	Washer (Governor Control Lever) (Used After Code Date 09101800). ----- Note ----- 792008 Washer (Governor Control Lever) (Used Before Code Date 09101900).
			187	791766	Line-Fuel (15 Inches Long) (Cut To Required Length)			
			187A	791869	Line-Fuel			
			188	699479	Screw (Control Bracket)			

# 202300

REF. NO.	PART NO.	DESCRIPTION	REF. NO.	PART NO.	DESCRIPTION	REF. NO.	PART NO.	DESCRIPTION
281	697268	Panel-Control	337	491055s	Plug-Spark	387	808656	Pump-Fuel
286	793696	Module-Oil Sensor			----- Note -----	404	795759	Washer
		----- Note -----			691043 Plug-Spark			(Governor Crank)
		699952 Module-Oil			Used on Type No(s).	410	695382	Link-Control
		Sensor			0123, 0136, 0149,	415	691363	Plug
		Used on Type No(s).			0170, 0214, 0223,	415B	794903	Plug
		0156, 1154.			0224, 0227, 0434,	425	794836	Screw
287	699234	Screw			1105, 1119, 1122,			(Air Cleaner Cover)
		(Dipstick Tube)			1123, 1124, 1125,	425A	794835	Screw
300		Muffler			1136, 1149, 1150,			(Air Cleaner Cover)
		(No Longer Available)			1151, 1152, 1154,	436C	792374	Manifold-Exhaust
		(Use Muffler Reference			1157, 1161, 1171.	437	794844	Screw
		300E. If equipped, use			792015 Plug-Spark			(Exhaust Manifold)
		with Muffler Guard			Used on Type No(s).	445	491588s	Filter-Air Cleaner
		832B, Muffler Guard			0159, 0210.			Cartridge
		Screws 836B, Muffler	346	794845	Screw	445A	695302	Filter-Air Cleaner
		Deflector 676C, and			(Spark Arrestor)			Cartridge
		Spark Arrestor 994)	347	697854	Switch-Rocker	446	794941	Spring-Retainer
300C	793701	Muffler			----- Note -----	455	794867	Cup-Flywheel
		(This muffler is			795333 Switch-Rocker	456	692299	Plate-Pawl Friction
		intended for			Used on Type No(s).	459	281505s	Pawl-Ratchet
		replacement purposes			0049, 0112, 0196,	467	691668	Knob-Air Cleaner
		only and is not to be			0200, 0208, 0210,	474A	695730	Alternator
		used for retrofitting to			0549, 1049, 1124,			(3 Amps DC)
		engines with different			1125.			Used on Type No(s).
		exhaust systems)	347B	790949	Switch-Rocker			0033, 0113, 0139,
300E	794949	Muffler	355	794842	Washer			0176, 0204, 0225,
304	591545	Housing-Blower			(Muffler Bracket)			1125.
		(Used After Code Date	356	695630	Wire-Stop	474D	695466	Alternator
		12012300)	356A	692390	Wire-Stop			(10 Amp Regulator)
		----- Note -----	356B	699340	Wire-Stop			Used on Type No(s).
		795699 Housing-	356C	695295	Wire-Stop			0041, 0111, 0117,
		Blower	356D	699994	Wire-Stop			0127, 0149, 0180,
		(Used Before Code	356E	696328	Wire-Stop			0181, 0183, 0193,
		Date 12012400)	356H	795332	Wire-Stop			0195, 0197, 0203,
305	699481	Screw	356K	697397	Wire-Stop			0209, 0211, 1041,
		(Blower Housing)	356L	792609	Wire-Stop			1111, 1154, 1161.
306	697240	Shield-Cylinder	356M	794290	Wire-Stop	493A	691177	Bracket-Mounting
307	794822	Screw	358	695438	Gasket Set-Engine			(Regulator)
		(Cylinder Shield)	361A	691693	Screw	493C	794781	Bracket-Mounting
309	695479	Motor-Starter			(Starting Switch)			(Debris Screen Guard)
310	690323	Screw	363	19203	Puller-Flywheel			(No Longer Available)
		(Starter Motor)	364A	699947	Terminal-Oil Plug			Used on Type No(s).
332	794824	Nut	369	695422	Spring-Float Bowl			0147.
		(Flywheel)	383	19576s	Wrench-Spark Plug			
333	492341	Armature-Magneto	385	699233	Screw			
334	699477	Screw			(Fuel Pump)			
		(Magneto Armature)						

Illustrations cover a range of engines. Parts shown without corresponding text may not be used on your specific engine.  
 3984-14 Assemblies include all parts shown in frames. 10/24/2012

REF. NO.	PART NO.	DESCRIPTION	REF. NO.	PART NO.	DESCRIPTION	REF. NO.	PART NO.	DESCRIPTION
500	691086	Washer (Key Switch) Used on Type No(s). 0225.	563C	794823	Screw (Debris Screen Guard)	632	696059	Link-Throttle (Used Before Code Date 08073000). ----- Note -----
500A	792613	Washer (Key Switch)	564	699492	Screw (Control Cover)			696059 Link-Throttle (Used Before Code Date 08071700).
501	797375	Regulator	564A	699491	Screw (Control Cover)			Used on Type No(s). 0117, 0210, 0214, 1157.
501B	794360	Regulator Used on Type No(s). 0225.	577A	690795	Cable-Starter			696059 Link-Throttle (Used Before Code Date 08082500).
503	691532	Strap-Starter	578	692306	Wire Assembly			Used on Type No(s). 0180.
504	695383	Washer Set-Friction	578A	790948	Wire Assembly ----- Note ----- 692306 Wire Assembly Used on Type No(s). 0204.			632A 796324 Link-Throttle (Used After Code Date 08072900). ----- Note -----
505	793515	Nut (Governor Control Lever) (Used After Code Date 09101800). ----- Note ----- 691251 Nut (Governor Control Lever) (Used Before Code Date 09101900).	579	691029	Nut (Starter Cable)			796324 Link-Throttle (Used After Code Date 08071600). Used on Type No(s). 0117, 0210, 0214, 1157.
510	693699	Drive-Starter	597	691696	Screw (Pawl Friction Plate)			633B 690998 Seal-Choke/Throttle Shaft
513	692024	Clutch-Drive	601	791850	Clamp-Hose			635 691909 Boot-Spark Plug
522	697689	Plug-Dipstick/Fill	604	795910	Cover-Control Used on Type No(s). 0180.			663 699492 Screw (Control Panel)
523	695344	Dipstick	604A	791752	Cover-Control			663A 795026 Screw (Control Panel)
524	691876	Seal-Dipstick Tube	608	695287	Starter-Rewind			664 691087 Nut (Key Switch) Used on Type No(s). 0225.
525	695343	Tube-Dipstick	613	794846	Screw (Muffler)			
526	690297	Screw (Regulator)	613A	794848	Screw (Muffler)			
526A	690326	Screw (Regulator) Used on Type No(s). 0225.	613B	794844	Screw (Muffler)			
527	698467	Clamp-Tube	614	691620	Pin-Cotter (Governor Crank)			
529	791822	Grommet	615	694676	Retainer-Governor Shaft (Governor Gear) (Used Before Code Date 08021500).			
536	591546	Cleaner-Air	616	795758	Crank-Governor			
552	694674	Bushing-Governor Crank	621	692310	Switch-Stop			
562	798197	Bolt (Governor Control Lever) (Used After Code Date 09101800). ----- Note ----- 793216 Bolt (Governor Control Lever) (Used Before Code Date 09101900).	627A	792608	Bracket-Stopswitch			
			628	699234	Screw (Fuel Pump Bracket)			

# 202300

REF. NO.	PART NO.	DESCRIPTION	REF. NO.	PART NO.	DESCRIPTION	REF. NO.	PART NO.	DESCRIPTION
668	694257	Spacer (Control Bracket)	801	694482	Cap-Drive	958	698180	Valve-Fuel Shut Off (Plastic)
668C	795908	Spacer (Fuel Pump Bracket)	802	691286	Cap-End	964	799159	Cap-Connector
676	795036	Deflector-Muffler	813	690635	Clamp	967	491435s	Filter-Pre Cleaner
676C	697816	Deflector-Muffler	819	794832	Screw (Muffler Bracket)	967A	695303	Filter-Pre Cleaner
677	794845	Screw (Deflector-Mounting)	832	795035	Guard-Muffler	968		Cover-Air Cleaner (No Longer Available) (For Replacement, Order Reference 536)
677A	699776	Screw (Muffler Deflector)	832B	590767	Guard-Muffler	968A	794784	Cover-Air Cleaner
689	691855	Spring-Friction	832C	792380	Guard-Muffler	968B	695301	Cover-Air Cleaner
695	698807	Screw (Ring Gear)	835	797458	Bracket-Wire Harness Used on Type No(s). 0225.	968C	795337	Cover-Air Cleaner
697	795026	Screw (Drive Cap)	836	794845	Screw (Muffler Guard)	971	794837	Screw (Air Cleaner Base to Carburetor)
718	690959	Pin-Locating	836B	699234	Screw (Muffler Guard)	972	799863	Tank-Fuel
718A	695178	Pin-Locating (Head)	836C	710023	Screw (Muffler Guard)	972A		Tank-Fuel (Plastic) (No Longer Available) (For Replacement, Order Reference 972)
727A	697465	Cover-Starter Drive	842	691031	Seal-O Ring (Dipstick Tube)	975	698783	Bowl-Float (Used After Code Date 08072900).
732	699200	Screw (Starter Drive Cover)	843	695588	Sleeve-Lever			----- Note ----- 698783 Bowl-Float (Used After Code Date 08071600). Used on Type No(s). 0117, 0210, 0214, 1157.
740	710090	Nut (Muffler Bracket)	847	695342	Dipstick/Tube Assembly			698783 Bowl-Float (Used After Code Date 08082400). Used on Type No(s). 0180.
740A	794843	Nut (Muffler Bracket)	851	692424	Terminal-Spark Plug	975A	696138	Bowl-Float (Used Before Code Date 08073000). ----- Note ----- 696138 Bowl-Float (Used Before Code Date 08071700). Used on Type No(s). 0117, 0210, 0214, 1157.
741	691288	Gear-Timing	863C	793700	Bracket-Muffler			696138 Bowl-Float (Used Before Code Date 08082500). Used on Type No(s). 0180.
742	692564	Retainer-E Ring	868	690968	Seal-Valve			
746	694679	Gear-Idler	875	797667	Base-Air Cleaner (Plastic)			
773	694258	Retainer	878	398661	Harness-Alternator			
774	695447	Screw (Stop Wire)	883A	794818	Gasket-Exhaust			
783	693713	Gear-Pinion	883C	710250	Gasket-Exhaust			
788	795698	Bracket-Fuel Pump	892	692318	Switch-Key Used on Type No(s). 0225.			
789	797457	Harness-Wiring Used on Type No(s). 0225.	892A	791944	Switch-Key			
798	697890	Screw (Rocker Arm)	914	794827	Screw (Rocker Cover)			
799	794937	Screw (Oil Sensor) (Shoulder Screw)	920	691656	Solenoid-Starter			
		----- Note ----- 699691 Screw (Oil Sensor)	951	699961	Lever-Choke			
			957	799719	Cap-Fuel Tank (Plastic)			
			957A	792647	Cap-Fuel Tank (Plastic) (Fresh Start)			
			957B	795027	Cap-Fuel Tank (Plastic)			

Illustrations cover a range of engines. Parts shown without corresponding text may not be used on your specific engine.  
3984-16 Assemblies include all parts shown in frames. 10/24/2012



REF. NO.	PART NO.	DESCRIPTION	REF. NO.	PART NO.	DESCRIPTION	REF. NO.	PART NO.	DESCRIPTION
990	691959	Key Set Used on Type No(s). 0225.	1090	691293	Retainer-Brush	1138	694255	Nut (Control Bracket)
			1095	695440	Gasket Set-Valve	1177	710090	Nut (Muffler)
990A	794696	Key Set	1100	791959	Pivot-Rocker Arm	1194	691876	Seal-O Ring (Plug)
994	790153	Arrestor-Spark	1119	699772	Screw (Alternator)	1210	498144	Pulley/Spring Assembly (Pulley)
994A	794945	Arrestor-Spark	1127A	695407	Screw (Float Bowl)	1211	498144	Pulley/Spring Assembly (Spring)
1005	794815	Fan-Flywheel	1131	794843	Nut (Crankcase Cover/Sump)	1230	794840	Stud (Control Bracket)
1022	690971	Gasket-Rocker Cover				1319	794467	Label-Warning
1023	697691	Cover-Rocker				1319A	797669	Label-Warning
1026	799862	Rod-Push				1330	276781	Repair Manual
1029	690972	Arm-Rocker				1404	794838	Nut (Control Cover)
1036		Label-Emissions (Available From A Briggs & Stratton Authorized Dealer)	1135	794842	Washer (Crankcase Cover/Sump)			
1046	691337	Plug-Blower Housing						
1051	691265	Ring-Retaining						
1052A	794805	Sensor-Oil						
1054	280275	Tie-Cable						
1058	277040	Manual-Operator's						
1070	794821	Screw (Flywheel Fan)						

Not for  
Reproduction

Not for  
Reproduction

Not for  
Reproduction

